





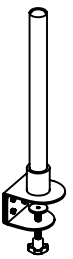
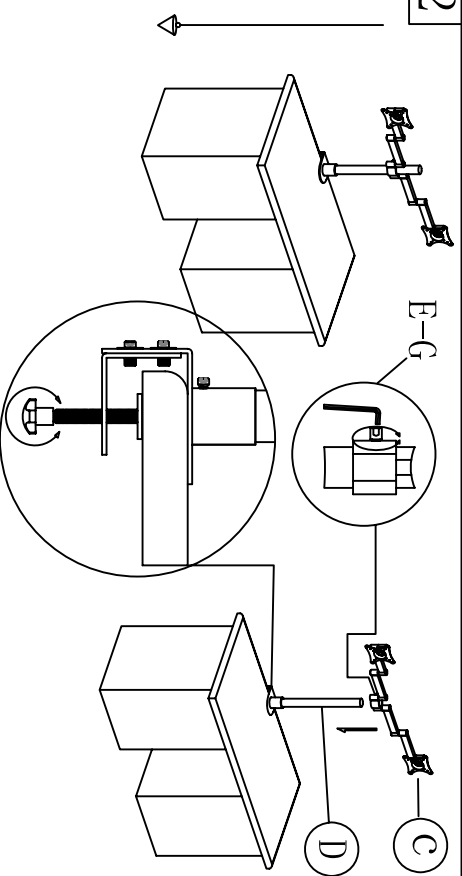


MONITOR STAND INSTALLATION SPECIFICATION

1

A		8	E		1
B		8	F		4
C		1	G		1
D		1			

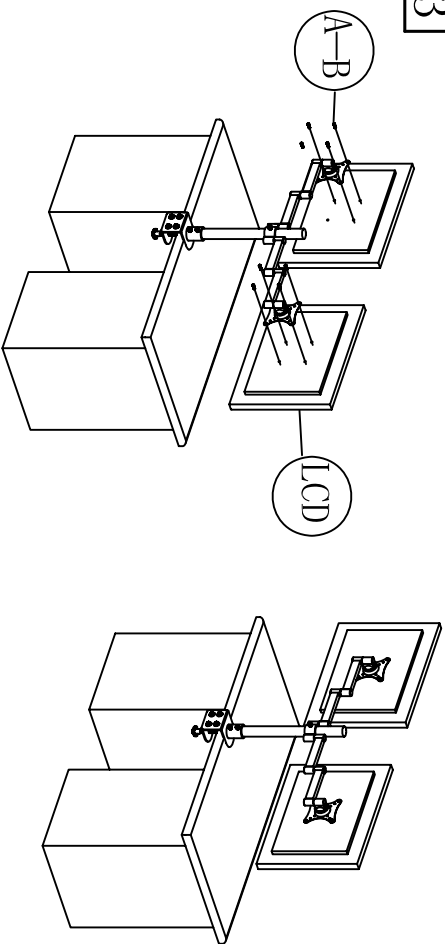
2



1. Refer the picture installing D stably on the table
2. Using E G to make C fix stably with D

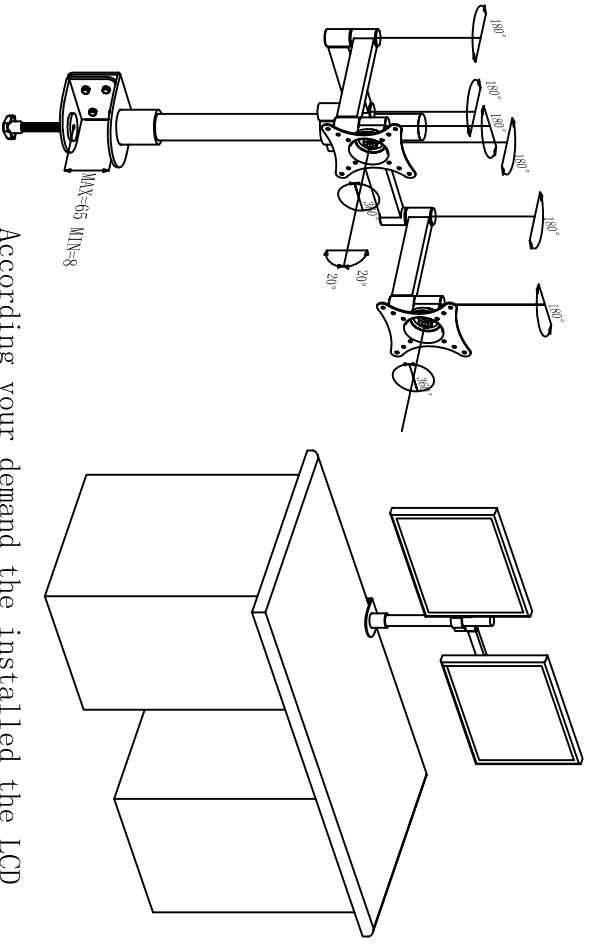
MONITOR STAND INSTALLATION SPECIFICATION

3



Refere the picture Using accessing C, D to fix LCD on the mount

4



According your demand the installed the LCD can refere the picture adjust the angle